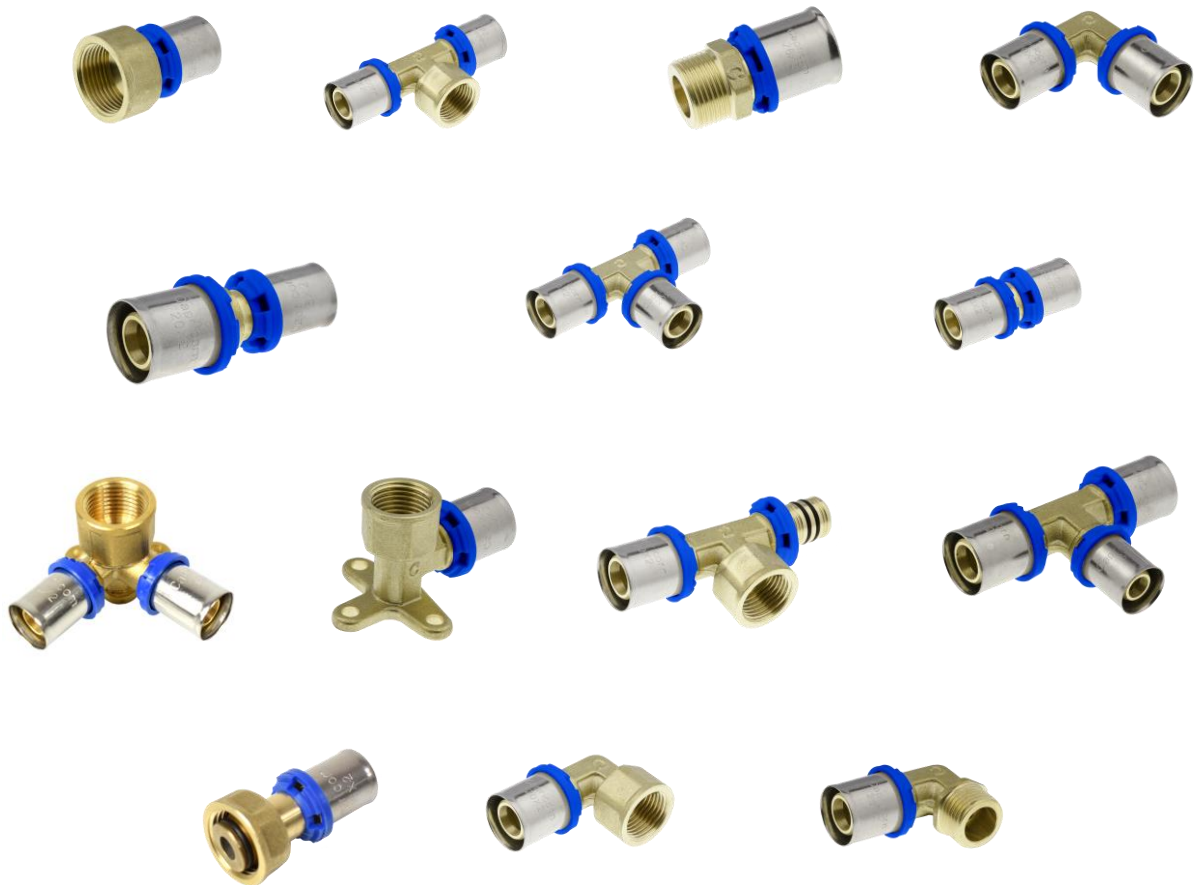


PRODUCT DATA SHEET (ver.02/03.2020)



1. Product name

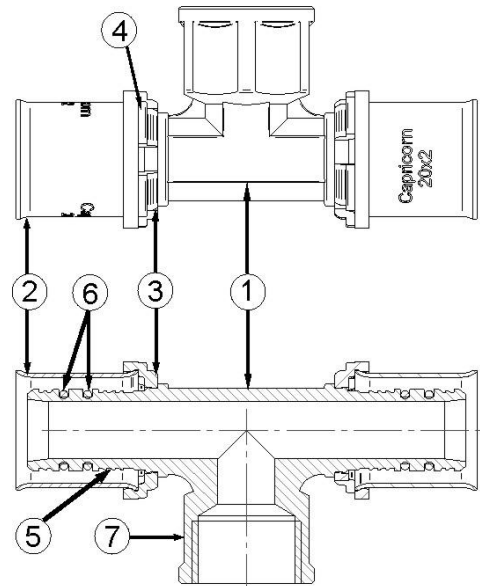
Press-fittings

2. Product overview

The couplings are elements, which connect piping in heating and domestic hot water installations. It is also possible to use them in other types of installations, e.g. compressed air systems. The materials used allow couplings to be applied in drinking water installations. Assembly of the installation begins with the proper preparation of a pipe - perpendicular cut / calibration / chamfering / deburring, then the pipe is inserted into the coupling, far enough to appear in the piping revision placed on a plastic ring. Thus prepared couplings are press-fitted with the use of proper tools - radial press and jaws. The couplings can be pressed with two types of jaws - acceptable are U and TH profiles.

3. Construction

1. Coupling body – brass
2. Clamping sleeve – stainless steel
3. Ring – plastic
4. Revision of the pipe seat
5. Press-fitted stub pipe
6. Sealing O-rings
7. Threaded element (Internal thread / External thread) depending on the type of coupling



4. Working principle

Press-fitted couplings are components connecting water or heating pipes. They are used to connect multi-layer pipes by pressing the coupling on the pipe. Press-fitting of the coupling ensures 100% tightness of the connection. Couplings with external or internal thread allow to connect pipeline directly to fixtures such as faucets.

The couplings have a plastic ring for seating a plastic sleeve, which also forms the basis to position jaws and is a revision of the correct insertion of the pipe. To press-fit a coupling, the U and TH jaws are recommended

5. Instalation



6. Technical specifications and materials

	Material	Parameter
Body	Brass	CW617N
Bushing	Stainless steel	AISI 304
Ring	Plastic	PP
Gaskets	Plastic	EPDM
Max. working temperature [°C]:	-	95 °C
Max. working pressure [bar]	-	10 bar
Profile of jaws	-	U, TH
Pipes	-	16x2, 20x2, 26x3, 32x3
Application	-	Central Heating; Hot Water; Cold Water; Air

7. Product code

Product code	Name
9-4343-016-50-22-13	Press straight male connector 16X1/2"
9-4343-020-50-22-13	Press straight male connector 20X1/2"
9-4343-026-75-22-13	Press straight male connector 26X3/4"
9-4343-032-10-22-13	Press straight male connector 32x1"
9-4341-016-50-22-13	Press straight female connector 16x1/2"
9-4341-020-50-22-13	Press straight female connector 20x1/2"
9-4341-020-75-22-13	Press straight female connector 20x3/4"
9-4341-026-75-22-13	Press straight female connector 26x3/4"
9-4341-032-40-22-13	Press straight female connector 32x1"
9-4340-016-16-22-13	Press straight coupling 16x16
9-4340-020-20-22-13	Press straight coupling 20x20
9-4340-026-26-22-13	Press straight coupling 26x26
9-4340-032-32-22-13	Press straight coupling 32x32
9-4350-016-20-22-13	Press reducing coupling 16x20
9-4350-016-26-22-13	Press reducing coupling 16x26
9-4350-020-26-22-13	Press reducing coupling 20x26
9-4363-016-50-22-13	Press male branch elbow 90° 16x1/2"
9-4363-020-50-22-13	Press male branch elbow 90° 20x1/2"
9-4361-016-50-22-13	Press female branch elbow 90° 16x1/2"
9-4361-020-50-22-13	Press female branch elbow 90° 20x1/2"
9-4360-016-16-22-13	Press brass 90° elbow 16x16
9-4360-020-20-22-13	Press brass 90° elbow 20x20
9-4360-026-26-22-13	Press brass 90° elbow 26x26
9-4360-032-32-22-13	Press brass 90° elbow 32x32
9-4370-016-50-22-13	Single wallplate elbow female connector 16x1/2"
9-4370-020-50-22-13	Single wallplate elbow female connector 20x1/2"
9-4370-020-75-22-13	Single wallplate elbow female connector 20x3/4"
9-4321-016-50-22-13	Press female branch reducing tee 16x1/2"x16
9-4321-020-50-22-13	Press female branch reducing tee 20x1/2"x20
9-4311-166-16-22-13	Press brass tee 16x16x16
9-4311-200-20-22-13	Press brass tee 20x20x20
9-4311-266-26-22-13	Press brass tee 26x26x26
9-4311-322-32-22-13	Press brass tee 32x32x32
9-4331-206-20-22-13	Press branch reducing tee 20x16x20

8. Logistic data

Product code	Name	Packing units [pcs.]
9-4361-016-50-22-13	Press female branch elbow 90° 16x1/2"	2
9-4361-020-50-22-13	Press female branch elbow 90° 20x1/2"	2
9-4361-020-75-22-13	Press female branch elbow 90° 20x3/4"	2
9-4361-026-75-22-13	Press female branch elbow 90° 26x3/4"	2
9-4363-016-50-22-13	Press male branch elbow 90° 16x1/2"	2
9-4363-020-50-22-13	Press male branch elbow 90° 20x1/2"	2
9-4363-020-75-22-13	Press male branch elbow 90° 20x3/4"	2
9-4363-026-75-22-13	Press male branch elbow 90° 26x3/4"	2
9-4360-016-16-22-13	Press brass 90° elbow 16x16	2
9-4360-020-20-22-13	Press brass 90° elbow 20x20	2
9-4360-026-26-22-13	Press brass 90° elbow 26x26	2
9-4360-032-32-22-13	Press brass 90° elbow 32x32	2
9-4370-016-50-22-13	Single wallplate elbow female connector 16x1/2"	2
9-4370-020-50-22-13	Single wallplate elbow female connector 20x1/2"	2
9-4370-020-75-22-13	Single wallplate elbow female connector 20x3/4"	2
9-4370-166-50-22-13	Double wallplate elbow female connector 16x1/2"x16	2
9-4371-200-50-22-13	Double wallplate elbow female connector 20x1/2"x20	2
9-4311-166-16-22-13	Press brass tee 16x16x16	2
9-4311-200-20-22-13	Press brass tee 20x20x20	2
9-4311-266-26-22-13	Press brass tee 26x26x26	2
9-4311-322-32-22-13	Press brass tee 32x32x32	2
9-4321-016-50-22-13	Press female branch reducing tee 16x1/2"x16	2
9-4321-020-50-22-13	Press female branch reducing tee 20x1/2"x20	2
9-4321-020-75-22-13	Press female branch reducing tee 20x3/4"x20	2
9-4321-026-50-22-13	Press female branch reducing tee 26x1/2"x26	2
9-4321-026-75-22-13	Press female branch reducing tee 26x3/4"x26	2
9-4331-160-20-22-13	Press branch reducing tee 16X20X16	2
9-4331-206-16-22-13	Press branch reducing tee 20X16X16	2
9-4331-206-20-22-13	Press branch reducing tee 20x16x20	2
9-4331-200-16-22-13	Press branch reducing tee 20X20X16	2
9-4331-266-16-22-13	Press branch reducing tee 26X16X16	2
9-4331-266-20-22-13	Press branch reducing tee 26X16X20	2
9-4331-266-26-22-13	Press branch reducing tee 26X16X26	2
9-4331-260-20-22-13	Press branch reducing tee 26X20X20	2
9-4331-260-26-22-13	Press branch reducing tee 26X20X26	2
9-4331-326-32-22-13	Press branch reducing tee 32X16X32	2
9-4331-320-32-22-13	Press branch reducing tee 32X20X32	2
9-4331-326-26-22-13	Press branch reducing tee 32X26X26	2
9-4331-320-26-22-13	Press branch reducing tee 32X26X32	2
9-4340-016-16-22-13	Press straight coupling 16x16	2
9-4340-020-20-22-13	Press straight coupling 20x20	2
9-4340-026-26-22-13	Press straight coupling 26x26	2
9-4340-032-32-22-13	Press straight coupling 32x32	2
9-4341-016-50-22-13	Press straight female connector 16x1/2"	2
9-4341-020-50-22-13	Press straight female connector 20x1/2"	2
9-4341-020-75-22-13	Press straight female connector 20x3/4"	2
9-4341-026-75-22-13	Press straight female connector 26x3/4"	2
9-4341-026-10-22-13	Press straight female connector 26x1"	2

9-4341-032-10-22-13	Press straight female connector 32x1"	2
9-4341-032-12-22-13	Press straight female connector 32x1 1/4"	2
9-4343-016-50-22-13	Press straight male connector 16X1/2"	2
9-4343-016-75-22-13	Press straight male connector 16X3/4"	2
9-4343-020-50-22-13	Press straight male connector 20X1/2"	2
9-4343-020-75-22-13	Press straight male connector 20X3/4"	2
9-4343-026-10-22-13	Press straight male connector 26X1"	2
9-4343-026-75-22-13	Press straight male connector 26X3/4"	2
9-4343-032-10-22-13	Press straight male connector 32x1"	2
9-4350-016-20-22-13	Press reducing coupling 16x20	2
9-4350-016-26-22-13	Press reducing coupling 16x26	2
9-4350-020-26-22-13	Press reducing coupling 20x26	2
9-4350-032-20-22-13	Press reducing coupling 32x20	2
9-4350-032-26-22-13	Press reducing coupling 32x26	2
9-4351-050-00-22-13	Press straight fitting with female eurokonus 1/2"	2

9. Advantages

- universal clamp, compatible with the most commonly used jaws profiles, including the U and TH profiles,
- precise execution of details increases security and makes installation easier,
- double sealing ensures reliability and safety of the installation,
- the coupling body channels are deepened and contain o-ring gaskets,
- plastic multi-purpose rings separate the brass body from the pipe, constitute revision of the correct insertion of the pipe, and position the jaws.

10. Warranty and responsibilities

During the installation it is required to observe OHS rules included in building regulations and norms. Capricorn S.A. More information about warranty and extent of liability on www.capricorn.pl/en

11. Manufacturer

Capricorn S.A.

58-160 Świebodzice,
Ciernie 11 tel./fax +48/74/854 05 16

www.capricorn.pl/en

e-mail: capricorn@capricorn.pl

Products, texts, pictures, drawings and diagrams presented in this document may be changed by Capricorn S.A. without prior notification and without giving a reason. Please visit our web site www.capricorn.pl/en for more detail.