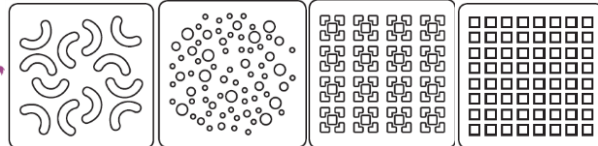


PRODUCT DATA SHEET (ver.02/12.2017)
Classic

Super


Aqua
Ambient


1. Name

Aqua Ambient point bathroom inlet (in version Classic and Super)

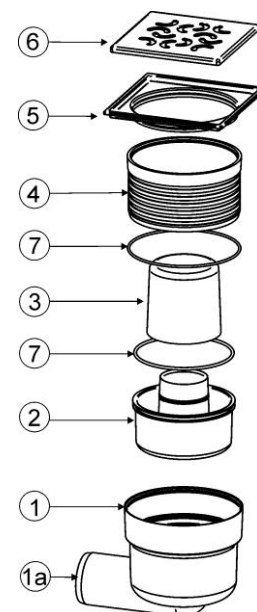
2. Product overview

The Aqua Ambient point bathroom inlet is a new trend of water drainage in places such as bathrooms, spa resorts, sport facilities. The Aqua Ambient point inlets have been designed in accordance with the latest trends so that they perfectly match the architectural values of the utility rooms with a higher standard of finish.

3. Construction

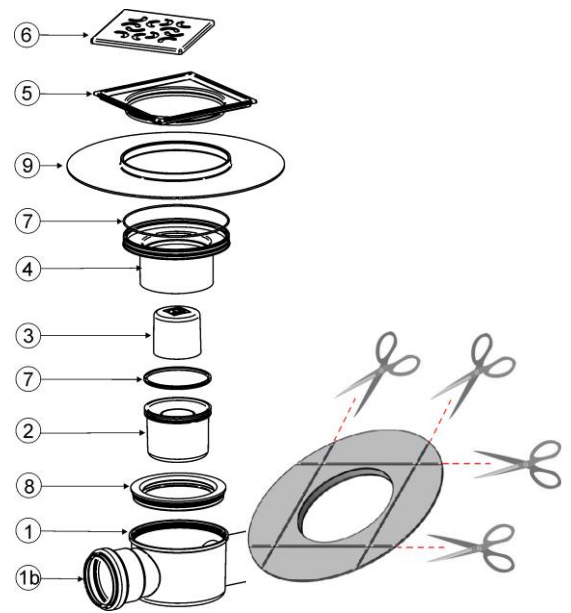
Aqua Ambient Classic bathroom point inlets

1. Body in drainage version \varnothing 50
- side, straight, side with flange, straight with flange
- 1a. Drainage \varnothing 50
2. Siphon
3. Cap of the siphon
4. Adjusting the built-in height
5. Frame
6. Grate in versions (ARCO, SPOT, CUBE, ORIENT)
7. O-ring seal



Aqua Ambient Super bathroom point inlets

1. Body
drainage \varnothing 50, drainage \varnothing 40,
- passage \varnothing 50, passage \varnothing 40
- 1a. Drainage \varnothing 50, or \varnothing 40
- 1b. Drainage \varnothing 50, or \varnothing 40
2. Siphon
3. Cap of the siphon
4. Adjusting the built-in height
5. Frame
6. Grate in versions (ARCO, SPOT, CUBE, ORIENT)
7. O-ring seal
8. Seal with high regulation
9. Flange



4. Working principle

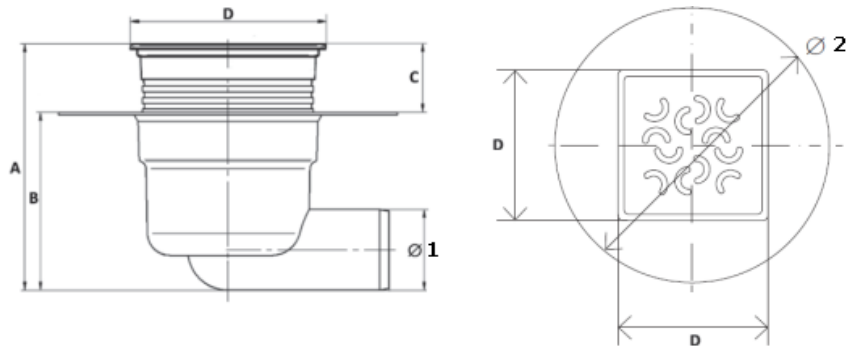
Bathroom point bathroom inlets drain water from flat surfaces through openings in grates. Water is drained through the drainage connection to the sewage system. The inlets are equipped with a water closure - a siphon. The siphon prevents unpleasant smells from coming out of the sewage system.

5. Exemplary application



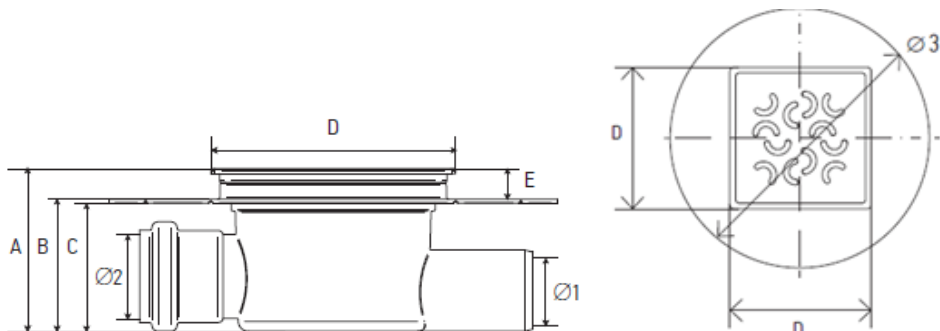
6. Dimensions

Aqua Ambient Classic bathroom point inlets



Product	Dimensions [mm]					
	A	B	C	D	Ø 1	Ø 2
With a side body outlet	120-150	110	10-30	120	50	-
With a straight body outlet	146-177	140	10-30	120	50	-
With flange and side outlet	120-150	110	10-30	120	50	210
With flange and straight drainage	146-177	140	10-30	120	50	210

Aqua Ambient Super bathroom point inlets



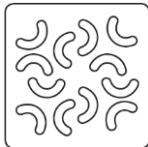
Product	Dimensions [mm]							
	A	B	C	D	E	Ø 1	Ø 2	Ø 3
With a side body outlet Ø 50	80-105	65	63	120	15	50	50	220
With a side body outlet Ø 40	80-105	65	63	120	15	40	40	220
Passage Ø 50	80-105	65	63	120	15	50	50	220
Passage Ø 40	80-105	65	63	120	15	40	40	220

7. Technical specifications

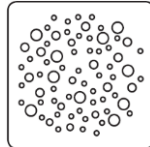
Item	Material	Parameter
Material	Polipropylen	-
Siphon	Polipropylen	-
Cap	Polipropylen	-
Regulation height	Polipropylen	-
Flange	Polipropylen	-
Frame	Stainless steel	1.4301
Grate	Stainless steel	1.4301
Max temperature	-	95°C

Class (max load)	-	H 1,5 (150Kg)
Aqua Ambient Classic bathroom point inlets		
The height of the water trap	-	50 mm
Flow rate	-	0,8 l/s
Aqua Ambient Super bathroom point inlets		
The height of the water trap	-	36 mm
Flow rate	-	0,35 l/s

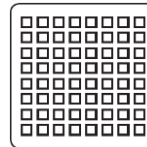
8. Aqua Ambient grates designs



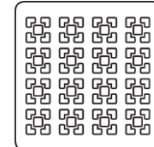
Arco



Spot



Cube



Orient

9. Codes

Bathroom point inlets Classic

Code	Name
9-2605-050-47-01-10	BATHROOM POINT INLET AQUA AMBIENT CLASSIC ARCO WITH A SIDE BODY OUTLET \varnothing 50
9-2604-050-47-01-10	BATHROOM POINT INLET AQUA AMBIENT CLASSIC SPOT WITH A SIDE BODY OUTLET \varnothing 50
9-2608-050-47-01-10	BATHROOM POINT INLET AQUA AMBIENT CLASSIC CUBE WITH A SIDE BODY OUTLET, \varnothing 50
9-2609-050-47-01-10	BATHROOM POINT INLET AQUA AMBIENT CLASSIC ORIENT WITH A SIDE BODY OUTLET, \varnothing 50
9-2605-050-46-01-10	BATHROOM POINT INLET AQUA AMBIENT CLASSIC ARCO WITH A STRAIGHT BODY OUTLET \varnothing 50
9-2604-050-46-01-10	BATHROOM POINT INLET AQUA AMBIENT CLASSIC SPOT WITH A STRAIGHT BODY OUTLET \varnothing 50
9-2608-050-46-01-10	BATHROOM POINT INLET AQUA AMBIENT CLASSIC CUBE WITH A STRAIGHT BODY OUTLET \varnothing 50
9-2609-050-46-01-10	BATHROOM POINT INLET AQUA AMBIENT CLASSIC ORIENT WITH A STRAIGHT BODY OUTLET \varnothing 50
9-2625-050-47-01-10	BATHROOM POINT INLET AQUA AMBIENT CLASSIC ARCO WITH A SIDE BODY OUTLET AND FLANGE \varnothing 50
9-2624-050-47-01-10	BATHROOM POINT INLET AQUA AMBIENT CLASSIC SPOT WITH A SIDE BODY OUTLET AND FLANGE \varnothing 50
9-2628-050-47-01-10	BATHROOM POINT INLET AQUA AMBIENT CLASSIC CUBE WITH A SIDE BODY OUTLET AND FLANGE \varnothing 50
9-2629-050-47-01-10	BATHROOM POINT INLET AQUA AMBIENT CLASSIC ORIENT WITH A SIDE BODY OUTLET AND FLANGE, \varnothing 50
9-2625-050-46-01-10	BATHROOM POINT INLET AQUA AMBIENT CLASSIC ARCO WITH A STRAIGHT BODY OUTLET AND FLANGE \varnothing 50
9-2624-050-46-01-10	BATHROOM POINT INLET AQUA AMBIENT CLASSIC SPOT WITH A STRAIGHT BODY OUTLET AND FLANGE \varnothing 50
9-2628-050-46-01-10	BATHROOM POINT INLET AQUA AMBIENT CLASSIC CUBE WITH A STRAIGHT BODY OUTLET AND FLANGE, \varnothing 50
9-2629-050-46-01-10	BATHROOM POINT INLET AQUA AMBIENT CLASSIC ORIENT WITH A STRAIGHT BODY OUTLET AND FLANGE \varnothing 50

Bathroom point inlets Super

Kod	Nazwa
9-2631-050-47-01-10	BATHROOM POINT INLET AQUA AMBIENT SUPER, ARCO WITH A SIDE BODY OUTLET ø 50
9-2632-050-47-01-10	BATHROOM POINT INLET AQUA AMBIENT SUPER, SPOT WITH A SIDE BODY OUTLET ø 50
9-2633-050-47-01-10	BATHROOM POINT INLET AQUA AMBIENT SUPER, CUBE WITH A SIDE BODY OUTLET ø 50
9-2634-050-47-01-10	BATHROOM POINT INLET AQUA AMBIENT SUPER, ORIENT WITH A SIDE BODY OUTLET ø 50
9-2631-040-47-01-10	BATHROOM POINT INLET AQUA AMBIENT SUPER, ARCO WITH A SIDE BODY OUTLET ø 40
9-2632-040-47-01-10	BATHROOM POINT INLET AQUA AMBIENT SUPER, SPOT WITH A SIDE BODY OUTLET ø 40
9-2633-040-47-01-10	BATHROOM POINT INLET AQUA AMBIENT SUPER, CUBE WITH A SIDE BODY OUTLET ø 40
9-2634-040-47-01-10	BATHROOM POINT INLET AQUA AMBIENT SUPER, ORIENT WITH A SIDE BODY OUTLET ø 40
9-2631-050-48-01-10	BATHROOM POINT INLET AQUA AMBIENT SUPER, ARCO WITH A PASSAGE SIDE BODY OUTLET ø 50
9-2632-050-48-01-10	BATHROOM POINT INLET AQUA AMBIENT SUPER, SPOT WITH A PASSAGE SIDE BODY OUTLET ø 50
9-2633-050-48-01-10	BATHROOM POINT INLET AQUA AMBIENT SUPER, CUBE WITH A PASSAGE SIDE BODY OUTLET ø 50
9-2634-050-48-01-10	BATHROOM POINT INLET AQUA AMBIENT SUPER, ORIENT WITH A PASSAGE SIDE BODY OUTLET ø 50
9-2631-040-48-01-10	BATHROOM POINT INLET AQUA AMBIENT SUPER, ARCO WITH A PASSAGE SIDE BODY OUTLET ø 40
9-2632-040-48-01-10	BATHROOM POINT INLET AQUA AMBIENT SUPER, SPOT WITH A PASSAGE SIDE BODY OUTLET ø 40
9-2633-040-48-01-10	BATHROOM POINT INLET AQUA AMBIENT SUPER, CUBE WITH A PASSAGE SIDE BODY OUTLET ø 40
9-2634-040-48-01-10	BATHROOM POINT INLET AQUA AMBIENT SUPER, ORIENT WITH A PASSAGE SIDE BODY OUTLET ø 40

10. Logistic data

Code	Package		
	Quantity [pcs/package]	Box dimensions [mm]	Weight [kg]
9-2605-050-47-01-10	1	185x118x138	0,50
9-2604-050-47-01-10	1	185x118x138	0,50
9-2608-050-47-01-10	1	185x118x138	0,50
9-2609-050-47-01-10	1	185x118x138	0,50
9-2605-050-46-01-10	1	165x123x148	0,50
9-2604-050-46-01-10	1	165x123x148	0,49
9-2608-050-46-01-10	1	165x123x148	0,50
9-2609-050-46-01-10	1	165x123x148	0,50
9-2625-050-47-01-10	1	225x215x140	0,61
9-2624-050-47-01-10	1	225x215x140	0,61
9-2628-050-47-01-10	1	225x215x140	0,61
9-2629-050-47-01-10	1	225x215x140	0,61
9-2625-050-46-01-10	1	225x215x140	0,58
9-2624-050-46-01-10	1	225x215x140	0,58
9-2628-050-46-01-10	1	225x215x140	0,58
9-2629-050-46-01-10	1	225x215x140	0,58

11. Product certificates and delarations

- Technical approval AT-15-9501 / 2015 Bathroom waste-water inlets Aqua Ambient and Ambient Aqua Super
- Produced according to the PN-EN 1253 standard
- Load class - class H 1.5 (withstands loads up to 150 kg)
- Hygienic attestation issued by PZH - Państwowy Zakład Higieny No. HK/W/0601/01/2017
- Declaration of Performance number 07/2017 of 02.01.2017.

12. Advantages

- high quality and aesthetics of performance,
- safe use - no burrs or sharp curves,
- decreased risk of the escape of sewage gases,
- effective water drainage,
- wide range of applications,
- fast and effective water drainage from the floor,
- application of the flange ensures tightness making the installation easy, and prolonging durability of the waterproofing layer in the floor,
- notches on the flange (Aqua Ambient Super) enable its precise adjustment to the place of assembly, thanks to which the inlet can be installed e.g. near walls or corners,
- wide range of bodies allows the choice of an optimum solution.

13. Warranty and liability

During the installation it is required to observe OHS rules included in building regulations and norms. Capricorn S.A. More information about warranty and extent of liability on www.capricorn.pl/en

14. Manufacturer

Capricorn S.A.

58-160 Świebodzice,

Ciernie 11

tel./fax +48/74/854 05 16

www.capricorn.pl/en

e-mail: capricorn@capricorn.pl