

PRODUCT DATA SHEET (ver.02/02.2018)



1. Name

Point bathroom inlets Standard

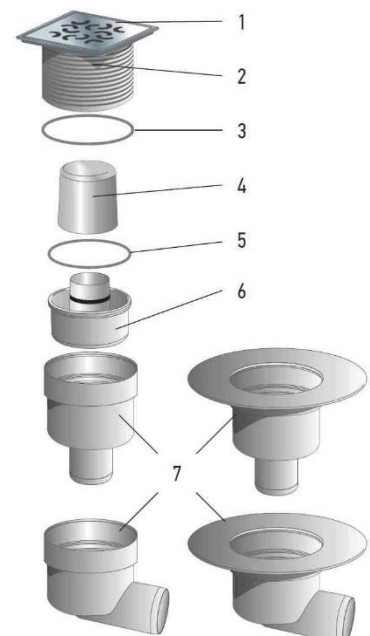
2. The features and application of the product

Standard bathroom inlet is dedicated to drain water and sewage in the households, public buildings, and health service. It enables fast and effective drainage of water from bathrooms, spa, baths, and other places without vehicular traffic while maintaining the newest stylish trends, and architectural features of the rooms.

3. Construction

Point bathroom inlets

1. Grille
2. Regulation of the inlet's height
3. Sealing O-ring
4. Cap of the siphon
5. Sealing O-ring
6. Siphon
7. Drain body (version with vertical or side outlet, with or without a flange)

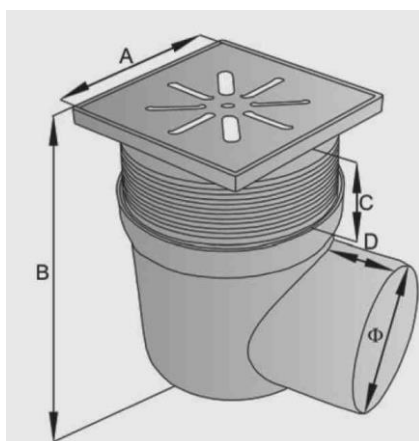


4. The rule of operation

The point bathroom inlets drain water from flat surfaces through the holes in grilles. The water is led through the outlet spigot into the sewage system. The inlets are equipped with a water trap - the siphon. The siphon prevents unpleasant smells from coming out of the sewage system.

5. Dimensions

Point bathroom inlets - Aqua Ambient Classic



Code	Type	Dimension [mm]				
		Ø	A	B	C	D
9-2600-110-46-01-04	straight	110	150x150	163-220	46	-
9-2600-050-46-01-04	straight	50	100x100	146-178	32	50
9-2620-050-46-01-04	straight with watertight collar	50	100x100	146-178	32	50
9-2600-110-47-01-04	lateral	110	150x150	156-202	46	-
9-2600-050-47-01-04	lateral	50	100x100	120-150	50	50
9-2620-050-47-01-04	lateral with watertight collar	50	100x100	1250-150	50	50

6. Technical parameters and applied materials

Element	Material	Parameter
Material	Polypropylene	-
Siphon	Polypropylene	-
Cap	Polypropylene	-
Regulation height	Polypropylene	-
Flange	Polypropylene	-
Grille	Stainless steel	1.4301
Max temperature	-	95°C
Class (max load)	-	K 3 (300kg)
Point bathroom inlets - Ø 50		
The height of the water trap	-	50 mm
Flow	-	0,8 l/s
Point bathroom inlets - Ø 110		
The height of the water trap	-	50 mm
Flow	-	1,4 l/s

7. Codes

Code	Name
9-2600-110-46-01-04	SEWAGE INLET 150X150MM WITH A STRAIGHT OUTLET Ø 110
9-2600-050-46-01-04	SEWAGE INLET 100X100MM WITH A STRAIGHT OUTLET Ø 50
9-2620-050-46-01-04	WPUST KANALIZACYJNY Z KOŁNIERZEM Z ODPŁYWEM PROSTYM FI 50
9-2600-110-47-01-04	SEWAGE INLET Ø 50 WITH A FLANGE AND STRAIGHT OUTLET
9-2600-050-47-01-04	WPUST SEWAGE INLET 100X100MM WITH A SIDE OUTLET Ø 50
9-2620-050-47-01-04	SEWAGE INLET Ø 50 WITH A FLANGE AND SIDE OUTLET

8. Standards and certificates

- Standard point bathroom inlets: PN- EN1253,
- Load classification - class K3 (they resist load up to 300 kg),
- The declaration of conformity number 14/2017 from 02.01.2017 r.

9. Advantages

- high quality and aesthetics of workmanship,
- safe use - no burrs or sharp curves,
- decreased risk of the escape of sewage gases,
- effective water drainage,
- wide scope of possibilities of application,
- fast and effective water drainage from the floor,
- the application of the flange ensures imperviousness due to easy installation, and prolonged durability of the waterproofing layer in the floor,
- wide range of drain bodies allows the choice of an optimum solution,

10. Warranty and responsibilities

During the installation it is required to observe OHS rules included in building regulations and norms. Capricorn S.A. More information about warranty and extent of liability on www.capricorn.pl/en

11. Manufacturer

Capricorn S.A.

58-160 Świebodzice,

Ciernie 11

tel./fax +48/74/854 05 16

www.capricorn.pl/en

e-mail: capricorn@capricorn.pl

Products, texts, pictures, drawings and diagrams presented in this document may be changed by Capricorn S.A. without prior notification and without giving a reason. Please visit our web site www.capricorn.pl/en for more detail