

**PRODUCT DATA SHEET** (ver.03/02.2018)



**1. Name**

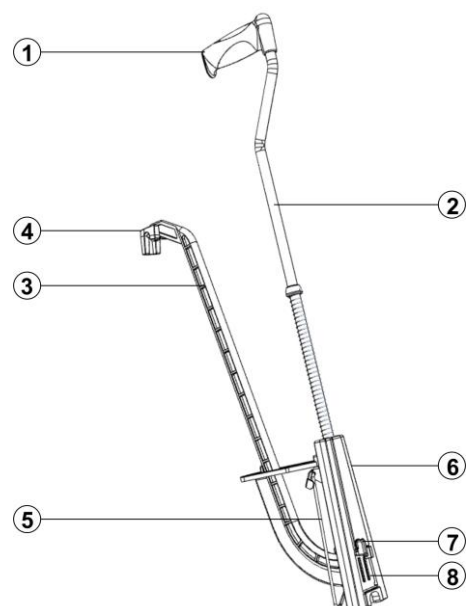
Tacker **CapriFloor**

**2. Product specification and applications**

Tacker **CapriFloor** is a tool for quick and easy mounting clips and laying underfloor heating pipe in polystyrene insulation. By replacing the manual installation of underfloor heating staples provides increased comfort and accelerates the speed of the installer.

**3. Construction**

1. Handle
2. Handle guide
3. Pins guide
4. Pins pushed by weights
5. stand
6. Body
7. Lock of revision door
8. Revision door

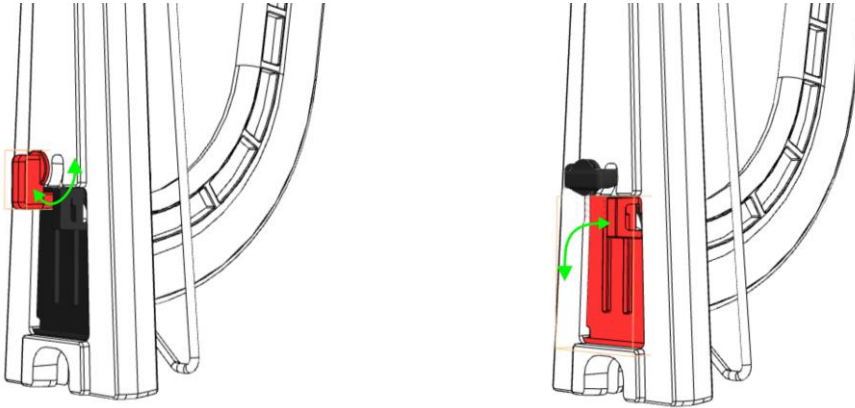


#### 4. Construction and materials

Solid Tacker **CapriFloor** construction is based on high-quality materials: aluminum and plastics. They make it possible to combine high strength, durability and light weight tool.

#### 5. Specification

##### Usement of revision door:



#### 6. Codes

Code	Name
9-1240-000-00-35-03	Tacker <b>CapriFloor</b>

#### 7. Advantages

- Tacker **CapriFloor** device is lightweight and ergonomically adapted to the human figure, therefore significantly improves efficiency and comfort of work
- Precision engineered provides accurate and stable mounting staples
- Solid construction and high quality materials used in the production of Tacker **CapriFloor** ensure its longevity and resistance to damage

#### 8. Warranty and liability

During the installation it is required to observe OHS rules included in building regulations and norms. Capricorn S.A. More information about warranty and extent of liability on [www.capricorn.pl/en](http://www.capricorn.pl/en)

## **9. Manufacturer**

### **Capricorn S.A.**

58-160 Świebodzice,

Ciernie 11

tel./fax +48/74/854 05 16

[www.capricorn.pl/en](http://www.capricorn.pl/en)

e-mail: [capricorn@capricorn.pl](mailto:capricorn@capricorn.pl)