

PRODUCT DATA SHEET (ver.03/02.2018)



1. Name

Decoiler for installation pipes and accessories for decoiler

2. Product overview

Decoiler for underfloor heating pipes ensures more straight forward work for the installer while fixing a heating pipe to insulation. It increases comfort, efficiency and the mobility of the installer. A pipe coil is placed on the decoiler which automatically decoils while the subsequent segments of the installation are being laid.

3. Design

The decoiler has been made of high quality steel and zinc-plated sections. Therefore, the decoiler is durable and it ensures many years of maintenance-free operation. In addition, thanks to the use of socket screws, assembly and disassembly of the equipment is quick and easy. The decoiler has a small footprint when assembled. Assembly is quick and easy. It only requires a few basic steps and there is no need for additional tools.

Unfolding the decoiler:

Step 1: Unfolding the legs



After unpacking the decoiler, unfold its legs so that the angles between them are equal. In the case of decoiler type 9-8140-000-00-34-03 the legs should be fixed in corresponding troughs.

Step 2: Unfolding the arms



Unfold the arm of the decoiler as wide as the stop in the tumbler of the decoiler allows.

Step 3: Installation of vertical stops



Mount the vertical stops of the pipe coil onto the arms of the decoiler.

Step 4: Installation of vertical stops



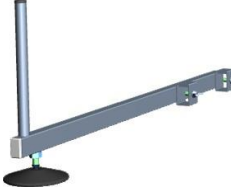
Place the pipe coil on the decoiler. Press the coil with the vertical stops and tighten the stops to the arms of the decoiler.

Step 5: Installation of horizontal stops



Place the horizontal stops for pressing the pipe coil from above. Depending on the thickness of the coil, mount it with the pipe pressing from above or from beneath.

Accessories:

Pipe straightener 14-26 mm	Pipe straightener holder for lowpipe decolier	Pipe straightener holder for highpipe decolier
		

4. Working principle

Place the underfloor heating pipe coil on the decoiler. The pipe will automatically decoil while the subsequent segments of the installation are being laid.

The use of the decoiler makes the following possible:

- The installer does not have to lift the pipe coil while installing the underfloor heating pipe.
- Installation of underfloor heating can be done by one person.
- The underfloor heating pipe placed on the decoiler is not affected by breaking or tangling

Pipe straightener is mounted to decolier by extra holders dedicated for low- and highpipe decoliers. Pipe with diameter 14-26 mm is put among decolier's rollers and screw handle softly to resistance– to let the pipe moving among rollers.

Exemplary application:



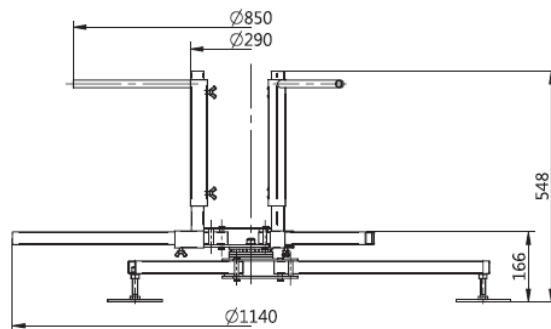
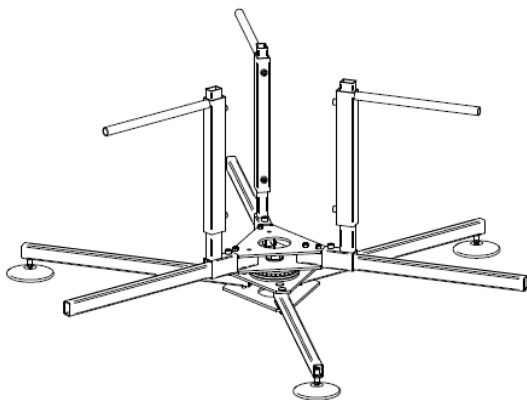
5. Technical specifications

Piper diameter: 10 – 32 mm

Piper diameter for straightener: 14 – 26 mm

Recommended maximum coil weight: 80 kg

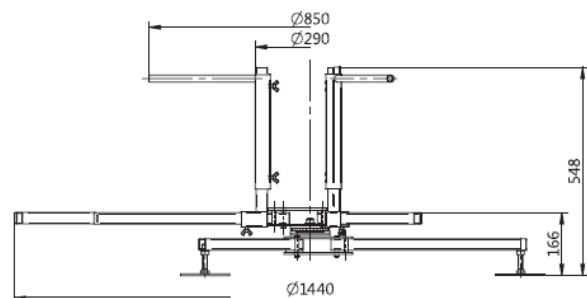
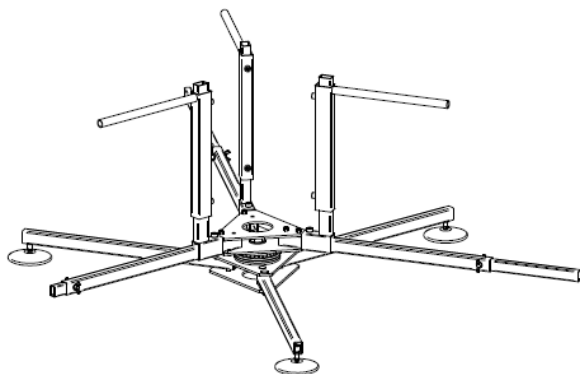
- **Decoiler, product code 9-8100-000-00-34-03**



Max pipe high (max sheer reverse of arms): 660 mm

Max external diameter (max length afret decomposition): 1140 mm

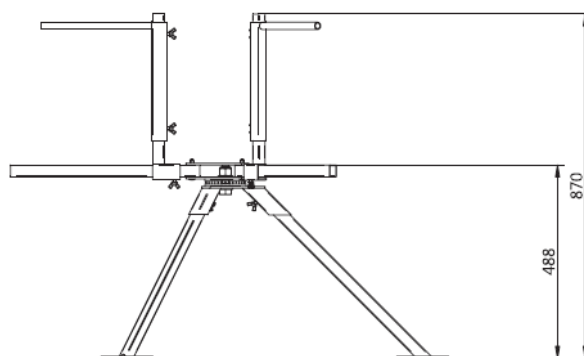
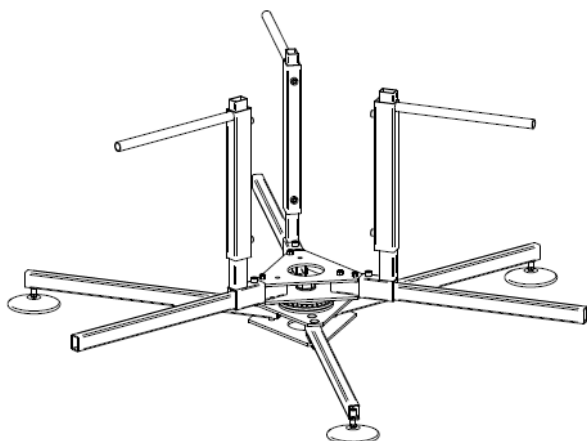
- **Decoiler, product code 9-8100-000-26-33-12**



Max pipe high (max sheer reverse of arms): 660 mm

Max external diameter (max length of arms afret decomposition): 1740 mm

- **Decoiler, product code 9-8140-000-00-34-03**



Max pipe high (max sheer reverse of arms): 660 mm

Max external diameter (max length afret decomposition): 1140 mm

6. Product code

Code	Name
Decoiler	
9-8100-000-00-34-03	Low decoiler
9-8100-000-26-33-12	Low decoiler with decomposition arms
9-8140-000-00-34-03	High decoiler
Accessories	
8-8150-000-00-33-12	Pipe straightener 14-26mm
9-8162-000-00-33-12	Pipe straightener holder for lowpipe decoiler
9-8170-000-00-33-12	Pipe straightener holder for highpipe decoiler

7. Logistic data

Code	Quantity in package	Quantity on pallet 2m
9-8100-000-00-34-03	1	30
9-8100-000-26-33-12	1	30
9-8140-000-00-34-03	1	30
8-8150-000-00-33-12	1	-
9-8162-000-00-33-12	1	-
9-8170-000-00-33-12	1	-

8. Advantages

- top quality materials.
- high quality, constantly controlled workmanship,
- quick and easy installation,
- universal tools for pipes with or without aluminium inserts.

9. Warranty and liability

During the installation it is required to observe OHS rules included in building regulations and norms. Capricorn S.A. More information about warranty and extent of liability on www.capricorn.pl/en

10. Manufacturer

Capricorn S.A.

58-160 Świebodzice,

Ciernie 11

tel./fax +48/74/854 05 16

www.capricorn.pl/en

e-mail: capricorn@capricorn.pl