

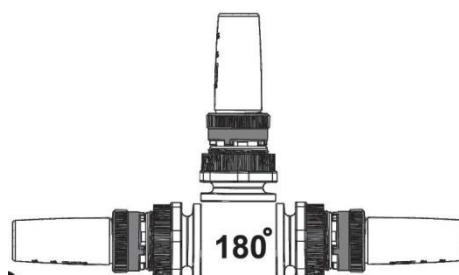
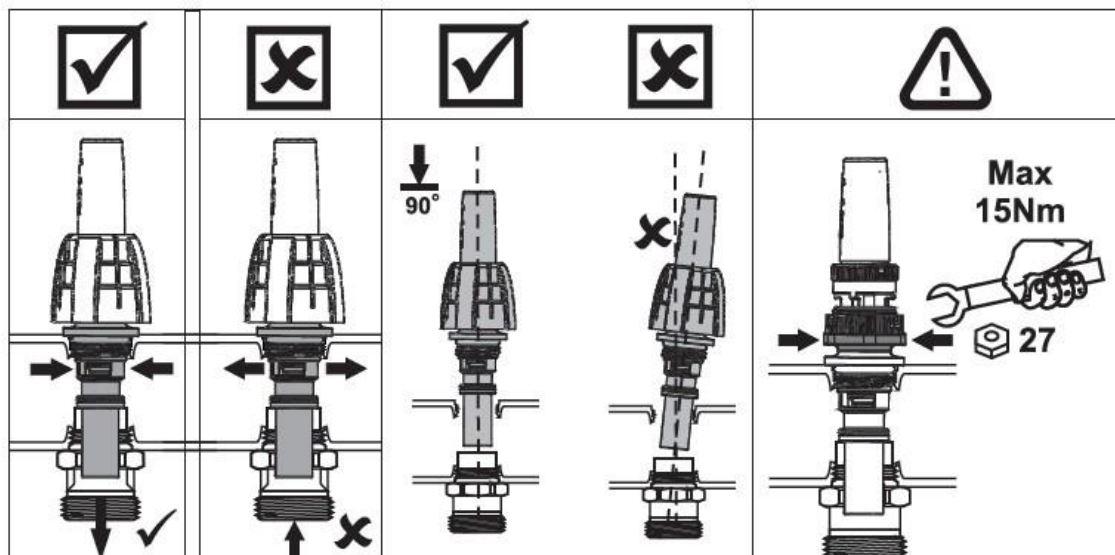
**PRODUCT DATA SHEET (ver.02/02.2018)**

**1. Name**

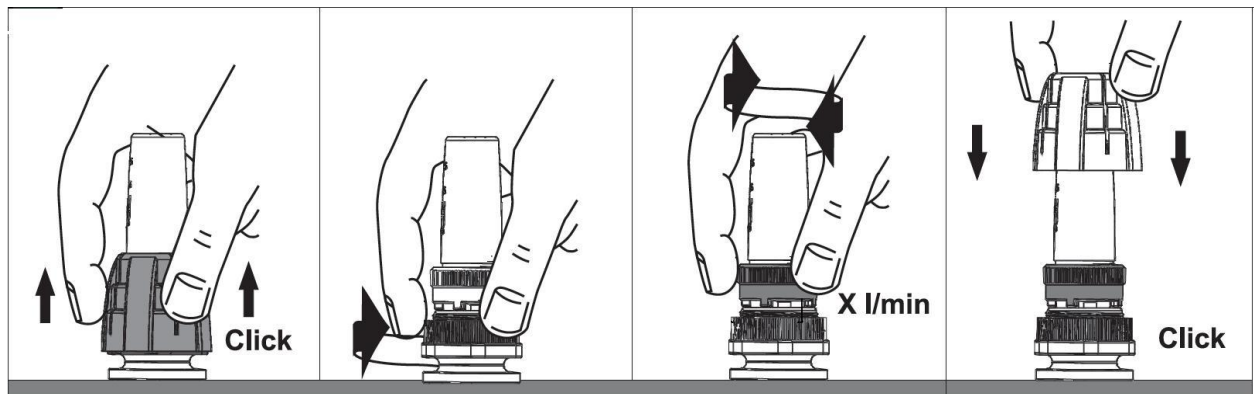
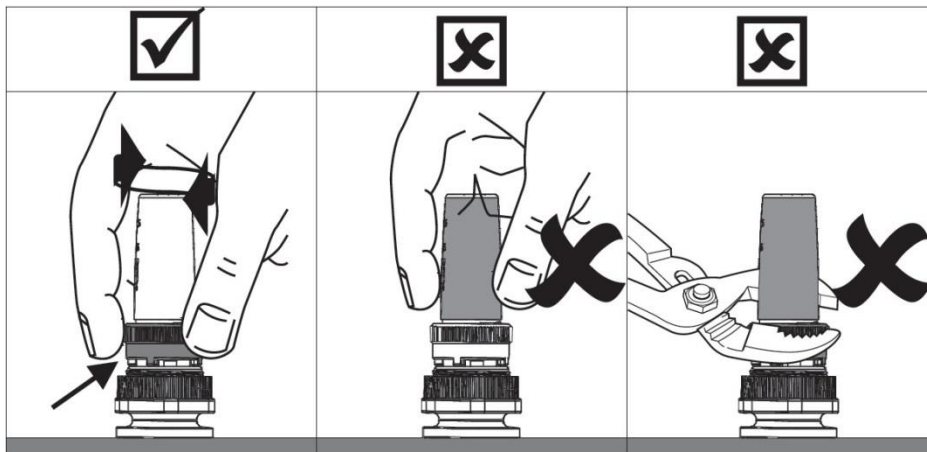
Control valve 1/2" with flow meter 0-5 l/min

**2. Characteristics and intended use of the product**

The flow meter is used to adjust / set flow in radiant heating systems. The flow meters are mounted on the supply beam.

**Installation**


## Adjustment:

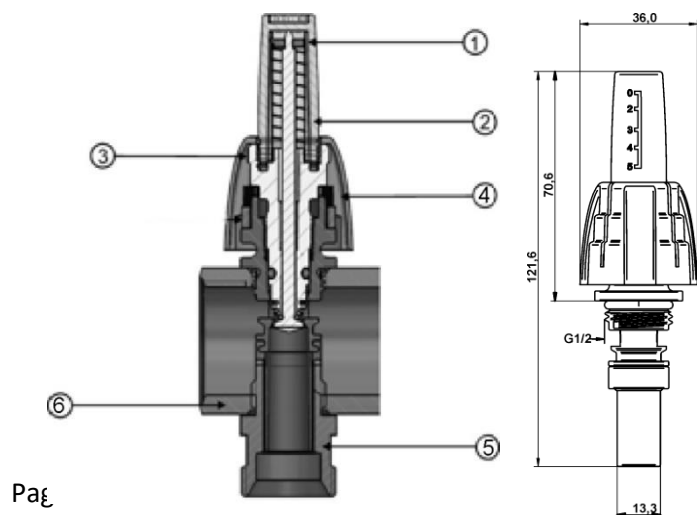


## 3. Codes

Code	Name
9-3830-050-00-12-10	CONTROL VALVE 1/2 " WITH FLOW METER 0-5 L/MIN

## 4. Construction and dimensions

1. Flow indicator
2. Sight glass with flow scale
3. Adjustment knob
4. Cover
5. Nipple (lower part of the valve)
6. Splitter beam - supply



## 5. Technical specifications

Code	Diametre	Range	Material	Nipple material	Max pressure [bar]	Max temp [°C]	kVS (m <sup>3</sup> /h)*
<b>9-3830-050-00-12-10</b>	1/2"	0-5 l/min	Poliamid	Mosiądz	6	60	1

- thread according to ISO 228
- when the flow meter is screwed to the beam power cannot be greater than 15 Nm Measurement accuracy +/- 10%
- glycol: Max 50%
- medium: water according to VDI 2035

## 6. Advantages

- accurate and quick balancing of flows without the need to use diagrams or measuring devices,
- flow directly indicated on a scale l/min.

## 7. Warranty and liability

During the installation it is required to observe OHS rules included in building regulations and norms. Capricorn S.A. More information about warranty and extent of liability on [www.capricorn.pl/en](http://www.capricorn.pl/en)

## 8. Manufacturer

### Capricorn S.A.

58-160 Świebodzice,

Ciernie 11

tel./fax +48/74/854 05 16

[www.capricorn.pl/en](http://www.capricorn.pl/en)

e-mail: [capricorn@capricorn.pl](mailto:capricorn@capricorn.pl)