

PRODUCT DATA SHEET (ver.03/02.2018)



1. Name

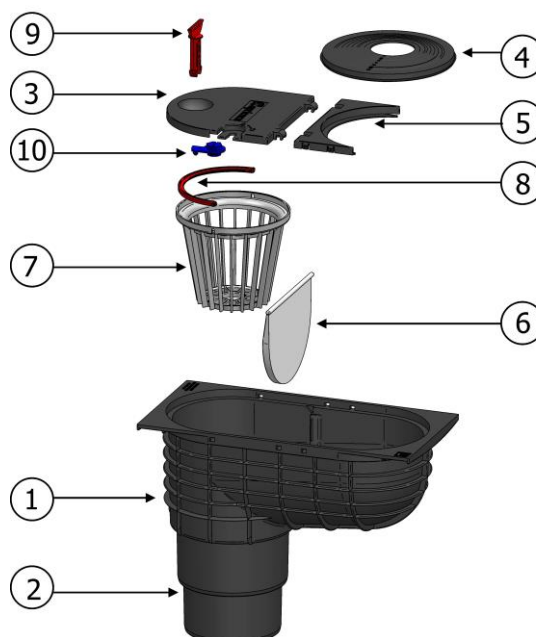
Debris Gully **Q3**

2. Product overview

The gutter downspout is an element of pipe system, intended for rain water draining to a sewage system outside the building. Gutter downspout structure enables direct connection of the rain water pipe of Ø50, 63, 75, 80, 90, 100, 110, 120 and 125 mm into the device, and there is also possibility of connection of discharge pipes of Ø110 or Ø125mm diameter.

3. Construction

1. Body
2. Downspout body
3. Revision cover
4. Disk for drain pipe
5. Cover's hinge
6. Deflection clap
7. Cage
8. Cage's handle
9. Revision cover's handle
10. Revision cover's lock*



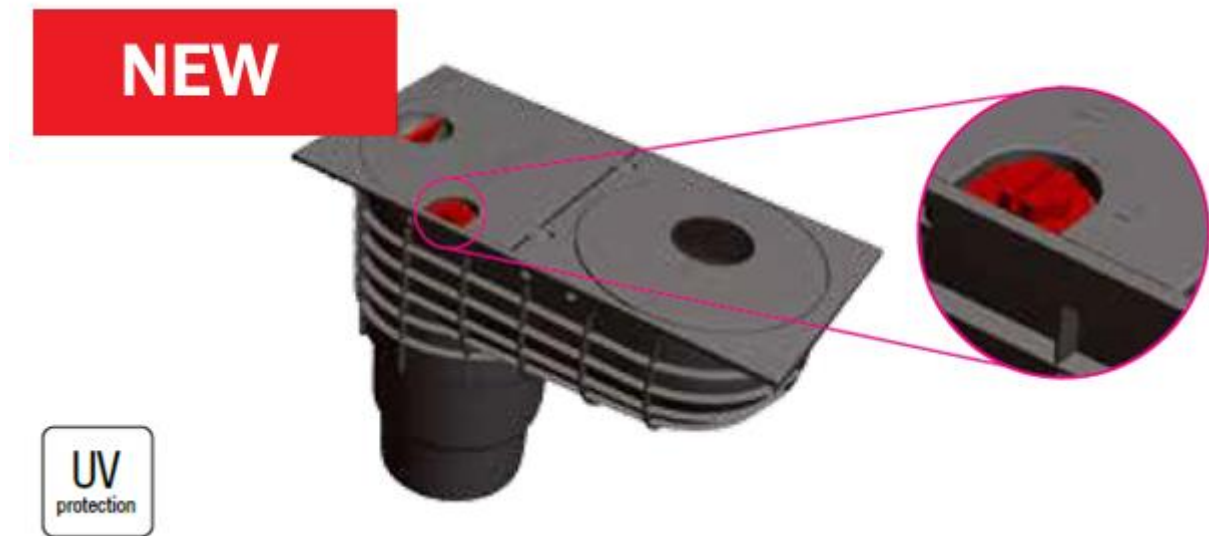
ATTENTION!

*Element (10) – revision cover's lock available in Debris gully **Q3** with product code 9-9400-

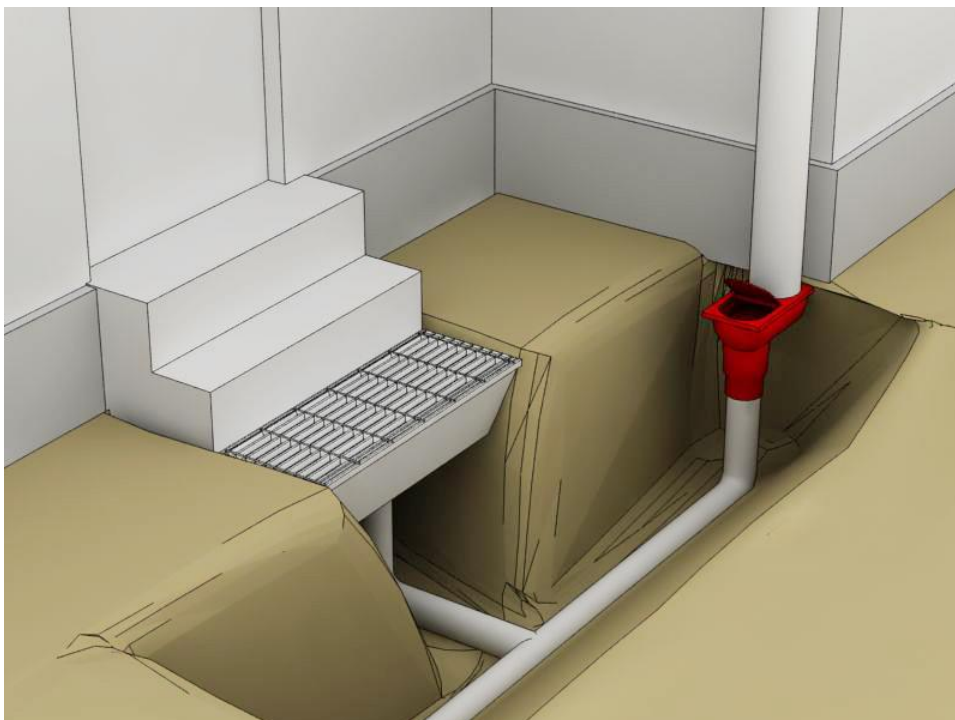
4. Working principle

The Q3 gutter downspout is an element connecting discharge pipe system draining taking from pipes with a rain water system. A basket inside the gutter downspout body collects impurities floating down from the building roof and prevents them blocking the sewers. By installation and regular cleaning of the gutter downspout, possibility of sewage system clogging is minimised which protects the building against leakage of rain water flowing back from the sewage system clogged.

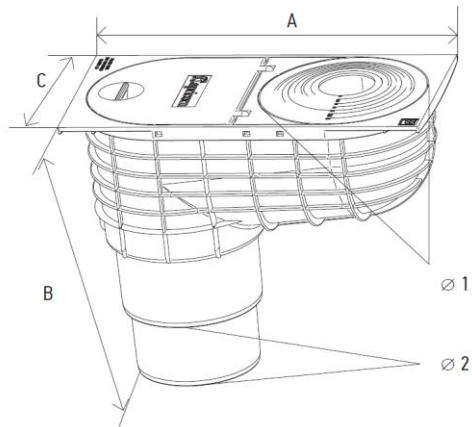
Debris gullies **Q3** series 9-9400* have extra lock of revision flap which stops opening cover during very distinctive rainfall.



5. Exemplary application



6. Dimensions



Debris gully Q3 and Debris gully Q3 with extra lock	Dimensions [mm]				
	A	B	C	Ø1	Ø2
	325	259	160	50 - 125	110/125

7. Technical specifications and used materials

	Material	Parametre	Color
Material	Polipropylen	UV protect	black/brown/gray
Load class	-	H 1,5	-
Capacity*	-	1,75 l/s	-

*Capacity with high of water column h=20mm

8. Product code

Code	Name
9-9300-000-00-01-03	Debris gully Q3 - gray
9-9300-000-00-01-07	Debris gully Q3 – brown
9-9300-000-00-01-10	Debris gully Q3 - black
9-9400-000-00-01-03	Debris gully Q3 with lock - gray
9-9400-000-00-01-07	Debris gully Q3 with lock - brown
9-9400-000-00-01-10	Debris gully Q3 with lock - black

9. Logistic data

Code	Individual packing			Pallet 1,6 m		Pallet 2 m	
	Quantity (pcs./ package.)	Box dimensions (mm)	Weight (kg)	Quantity (pcs./ pallet)	Weight (kg)	Quantity (pcs./ pallet)	Weight (kg)
9-9300-000-00-01-03	1	335x175x275	1,1	80	106,8	100	128
9-9300-000-00-01-07							
9-9300-000-00-01-10							
9-9400-000-00-01-03							
9-9400-000-00-01-07							
9-9400-000-00-01-10							

10. Product certificates and delarations

- PN-EN 1253-1:2015
- Nationale Declaration of Performance nr 03/2011z dnia 21.03.2011r.
- Class H 1,5



11. Advantages

- efficient rain water draining from a rain water pipe system to a sewage system outside the building,
- durable and reliable structure, entirely resistant to load of up to 1063N,
- a basket inside the gutter downspout operates as a filter, it collects impurities floating down with water, e.g.: leaves, branches, sand,
- provided with anti-odour barrier flap,
- protects the building against rain water accumulation (puddles) and foundation water absorption, which prevents uneven building settlement, wall cracks, humidity inside the building,
- protect the sewer against clogging.

12. Warranty and liability

During the installation it is required to observe OHS rules included in building regulations and norms. Capricorn S.A. More information about warranty and extent of liability on www.capricorn.pl/en

13. Manufacturer

Capricorn S.A.

58-160 Świebodzice,

Ciernie 11

tel./fax +48/74/854 05 16

www.capricorn.pl/en

e-mail: capricorn@capricorn.pl

Products, texts, pictures, drawings and diagrams presented in this document may be changed by Capricorn S.A. without prior notification and without giving a reason. Please visit our web site www.capricorn.pl/en for more detail.